

# **BOOK 3**

## **Indoor Target Archery Rules**



## CHAPTER 8

**INDOOR TARGET ARCHERY ROUNDS****8.1 RANGE LAYOUT**

*(Details concerning the organization of FITA championships will be found in the FITA Organizer's Manuals and in Appendix 1 Book.3)*

- 8.1.1 The range shall be squared off and each distance accurately measured from a point vertically beneath the gold of each target to the shooting line. Tolerance on range dimensions shall be  $\pm 10$ cm at 25/18 meters.
- 8.1.2 A waiting line shall be indicated at a distance of at least 3 meters behind the shooting line.
- 8.1.3 The buttresses may be set up at any angle between vertical and about 15 degrees from the vertical, but a line of buttresses shall be set up all at the same angle. Each buttress shall be numbered.
- 8.1.4 The center of the single face or the center of the middle face of the vertical triple face shall be 130cm above the floor. When using triangular triple faces the height refers to the two lower centers of the triple faces. If the 40cm faces are in two lines, one above the other, the centers of the faces shall be 100cm and 160cm above the floor. When using triangular triple faces the 100cm refers to the lower centers of the triple faces and the 160cm refers to the upper faces. A tolerance of measurement shall not exceed  $\pm 2$ cm. The spacing between faces on the same height shall be at least 15cm at their nearest point of scoring area. For the Indoor Match Round, the 40cm triple faces shall be used. Vertical triple faces shall be mandatory for the Indoor World Championships. With four vertical triple faces per target there shall be a space of at least 15cm between the second and the third column, each column shall be marked clearly. With two or three vertical triple faces per target there shall be a space of at least 15cm between each column. In the Elimination and Finals Round the faces shall be set in pairs on each buttress.
- 8.1.5 Points on the shooting line directly opposite the center of each buttress shall be marked.
- 8.1.6 Lanes containing not more than two competitors shooting at the same time may be laid and must be at least 160cm wide, allowing a minimum of 80cm per competitor.
- 8.1.7 *A 3-meter line shall be marked in front of the shooting line. (See 8.4.4.1)*
- 8.1.8 Source of light, whether natural or artificial, and its effect on the target faces should be considered.
- 8.1.9 It is recommended that classes be separated on the shooting line.
- 8.1.10 Where the size of the hall dictates, suitable barriers shall be erected around the range to keep spectators back. Such barriers shall be at least 10 meters from the

# BOOK 3

## FITA CONSTITUTION AND RULES

---

ends of the Target Line and shall be at a minimum of 5 meters behind the Waiting Line. No spectators are allowed beyond the Target Line. Where the size of the hall does not require the erection of side barriers no spectators shall be allowed beyond the barrier situated behind the Waiting Line.

- 8.1.11 For the Indoor Match Round Team events a clearly visible line shall be marked one (1) meter behind the Shooting Line. This line must be at least 3cm wide.
- 8.1.12 *For the Indoor Match Round Team event there shall be competitors' and coaches' boxes behind the 1 meter line as shown in the drawings of Appendix 9.4.*

## 8.2. VENUE EQUIPMENT

### 8.2.1 Target Faces

8.2.1.1 There are six FITA Indoor Target faces:

- The 60cm diameter face;
- The 60cm triangular triple face;
- The 60cm vertical triple face;
- The 40cm diameter face;
- The 40cm triangular triple face;
- The 40cm vertical triple face.

Only those Indoor Target Faces produced by a manufacturer licensed by FITA shall be used at FITA competitions.

#### 8.2.1.2 Description

Target face, see drawing Appendix 1 Book 3

The 60cm and 40cm faces are divided by a thin line into five concentric color zones arranged from the center outwards as follows: Gold (Yellow), Red, Light Blue, Black and White (there are no dividing lines between Light Blue and Black; Black and White). Each color is in turn divided by a thin line into two zones of equal width thus making in all ten scoring zones of equal width measured from the center of the gold:

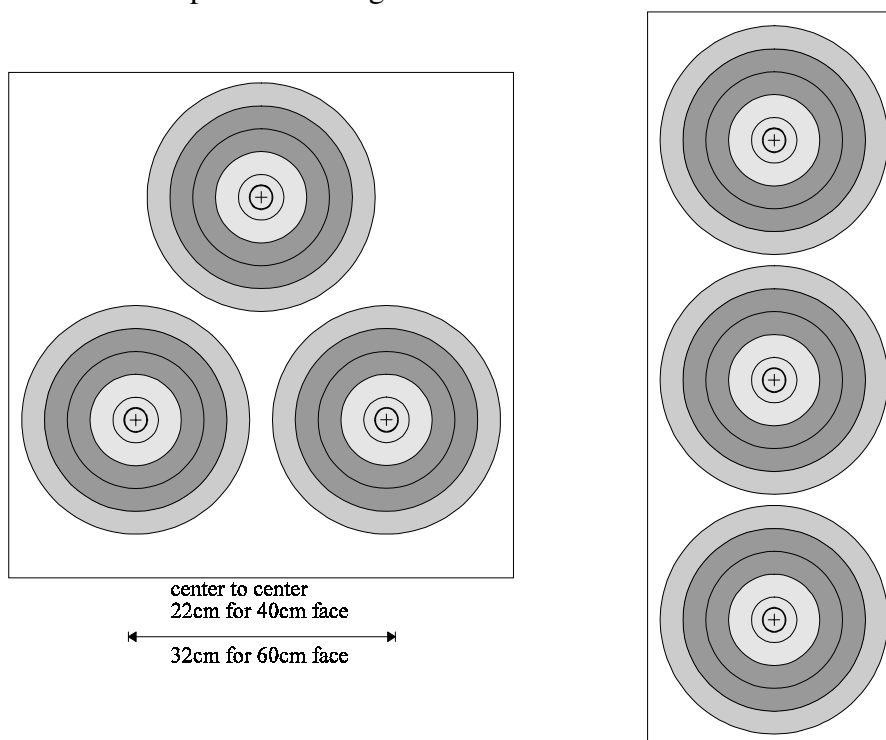
- 3cm on the 60cm target face,
- 2cm on the 40cm target face.

Such dividing lines, and any dividing lines which may be used between colors, shall be made entirely within the higher zone in each case. Any line marking the outermost edge of the white shall be made entirely within the scoring zone. The width of the thin dividing lines as well as the outermost line shall not exceed 2mm on both the 60cm and 40cm target faces. The center of the target face is termed the "pin-hole" and shall be indicated by a small cross "x", the lines of which shall not exceed 1mm in width and 4mm in length. For the Compound Division an inner ten (10) ring of 3cm in diameter for the 60cm target faces and 2cm in diameter for the 40cm target faces is required.

In addition triple faces as follows may be used. (For the Indoor Match Round the 40cm triple face shall be used. Vertical triple faces shall be mandatory for the Indoor World Championships). They have the same dimensions as the FITA 60cm and 40cm faces respectively, but with the 5 to 1 scoring zones removed. The lowest scoring zone is therefore Light Blue 6.

Each set consists of three small faces on a white background arranged symmetrically in a triangular pattern with the centers respectively bottom left, at the apex, and at the bottom right, or in a vertical row. The centers of the golds shall be approximately 32cm distant from each other on 60 cm faces and 22cm distant from each other on 40 cm faces.

60 and 40 cm triple faces triangular and vertical



# BOOK 3

## FITA CONSTITUTION AND RULES

---

### 8.2.1.3 Scoring Values and Color Specifications

Scoring Values	Colors	Pantone Scale
10	Yellow	107U
9	Yellow	107U
8	Red	032U
7	Red	032U
6	Light Blue	306U
5	Light Blue	306U
4	Black	Process Black
3	Black	Process Black
2	White	-
1	White	-

Target Face, see drawing Appendix 1 Book 3

### 8.2.1.4 Tolerance of Measurements

The permissible variations in dimensions of the target face in each of the 10 zones shall be measured by the diameters of each separate circle enclosing each of the 10 zones. The tolerance of each such diameter shall not exceed  $\pm 1$ mm for the scoring zones 10, 9 and 8 and  $\pm 3$ mm for the other scoring zones measured through the center.

Zone	Diameter of faces and scoring zones in cm				Tolerance in mm +/-
	122	80	60	40	
Inner 10	6.1	4	3	2	1
10	12.2	8	6	4	1
9	24.4	16	12	8	1
8	36.6	24	18	12	1
7	48.8	32	24	16	3
6	61	40	30	20	3
5	73.2	48	36	24	3
4	85.4	56	42	28	3
3	97.6	64	48	32	3
2	109.8	72	54	36	3
1	122	80	60	40	3

Target Face, see drawing Appendix 1 Book 3

### 8.2.1.5 Size of Target Face at different Distances

For the distance of 25 meters, the Target Face of 60cm shall be used. For the distances of 18 meters, the Target Face of 40cm shall be used.

**8.2.1.6 Material of Target Faces**

*Target faces may be made of paper or any other suitable material. All faces used for the same competition class shall be uniform in color and of the same material.*

**8.2.2 Buttresses**

8.2.2.1. The size of the buttress face, whether round or square, must be large enough to ensure that any arrow hitting the buttress and just missing the outermost edge of the target face, remains in the buttress;

8.2.2.2 Any portion of the buttress and its support likely to damage an arrow shall be covered. Care is necessary, particularly when more than one target face is placed on the buttress, that arrows passing through the buttress are not damaged by the support;

8.2.2.3 Buttresses shall have Target Numbers. The numbers shall be 30cm tall and shall be black figures on a yellow background, alternating with yellow figures on a black background (e.g. No. 1 Black on Yellow, No. 2 Yellow on Black, etc.). Target Numbers shall be affixed above or below the center of each target, so as to be clear of the Target face. Targets shall be numbered from the central lane outwards on both sides of the shooting range.

**8.2.3 Time Control Equipment****8.2.3.1 Acoustic**

The Director of Shooting (see Article 8.7.1) shall control the shooting and the starting and ending of each time limit with an audible device or a whistle.

**8.2.3.2 Visual**

The Director of Shooting shall control each Time Limit by means of digital clocks, lights, flags, plates and/or any simple device in addition to the audible signal referred to above. In the event of any discrepancy between the Acoustic and the Visual Time Control equipment, the Acoustic Time Control Equipment shall take precedence.

- **Plates**

The Plates are not to be less than 120cm by 80cm in size. They must be securely mounted and must be easy to turn quickly to show either side. One side of the Plates shall be striped with 20-25cm wide stripes alternating in black and yellow. The stripes to be at an angle of about 45 degrees to the ground. The reverse side shall be yellow.

- **Lights**

The colors shall be Red, Yellow and Green in that order with the Red uppermost. The Lights must be synchronized and at no time shall two different colors be on at the same time. In FITA Championships the Lights must be linked to the Acoustic Equipment so that the first sound of the Acoustic Equipment is simultaneous with the light turning red and the digital clock reaching zero.

- **Digital Clocks**

When timing is controlled by the use of Digital Clocks, the figures on the clocks shall be a minimum of 20cm in height and must be able to be clearly

# BOOK 3

## FITA CONSTITUTION AND RULES

---

read at 100 meters distance. They must be able to be immediately stopped and reset as may be required. The clock must function on the countdown principle. All other requirements, e.g. position, numbers, etc., shall be the same as required for lights.

- **Match play Indicators:**

When shooting in alternating match play there shall be separate green/red lights, countdown clocks, or other useful visual signals to indicate whose turn it is to shoot.

- **Emergency Equipment**

When the time limit is controlled by electrical equipment, plates, flags or other simple manual devices must be available in case of failure of electrical equipment. Lights and/or digital clocks and emergency equipment are mandatory for FITA Championships (Article 3.1; 3.2).

### 8.2.4 **Miscellaneous Equipment**

The following equipment is mandatory at FITA Indoor Championships and Games Tournaments and recommended in relation to the importance of other tournaments:

8.2.4.1 **Registration numbers** to be worn by each competitor.

8.2.4.2 A device to indicate the **order of shooting**: AB/CD; CD/AB, etc. The letters shall be large enough to be read by all competitors from their shooting positions. Two or more such devices may be needed.

8.2.4.3 One large **scoreboard** for progressive totals after each end, for at least the first eight women and first eight men and indicating the scores for the qualification cut.

8.2.4.4 The large scoreboard may be supplemented by means of displaying the **progressive scores** of all competitors after each end.

8.2.4.5 In the Indoor Match Round Elimination and Finals Round a **name plate** carrying the Competitor's back number in the individual events or the officially recognized three (3) letters denoting the Member Association in the team events shall be displayed at each target next to the scoring device, with letters or figures at least 20cm tall

8.2.4.6 In the Elimination and Finals Round for Individuals and Teams a **flip-score device** for three (3) or four (4) figures shall be displayed below each buttress; the figures shall be at least 20cm tall. This will render the updating of the scoreboard optional

8.2.4.7 **Flags**, or some other suitable device, whereby scorers at the target and the competitors at the shooting line can call for a Judge.

8.2.4.8 **Raised platform** with seating facilities for the Director of Shooting.

8.2.4.9 **Loudspeaker** equipment.

8.2.4.10 Sufficient **chairs** or benches behind the waiting line for all competitors, Team Captains, Judges and other officials.

8.2.4.11 A **scoring board** or some or some such device with competitor's name and/ or target number (1A, 1B, 1C or simply A, B, C and adding D if there are four competitors on the target, etc.) may replace the name plate and the flip score device for displaying progressive total scores after each end. When any such device is being used

it shall be placed on the floor below each buttress or fixed firmly to the buttress. It shall be changed by the scorer appointed, aided by the competitors on that target after the arrows have been scored and drawn, before leaving the target.

- 8.2.5 An **automatic scoring device** may be used only in the Finals Rounds

### 8.3 COMPETITORS' EQUIPMENT

This Article lays down the type of equipment competitors are permitted to use when shooting for FITA purposes.

If it becomes necessary for a competitor to use equipment which has not been inspected by the Judges, the onus is on the competitor to show this equipment to the Judges before using it.

Any competitor found to be using equipment contravening FITA Rules may have his scores disqualified.

Described below are the general regulations that apply to all disciplines followed by the special regulations that only apply to certain disciplines.

*See Appendix 10 Book 1: Competitors with Disabilities.*

- 8.3.1 For the **Recurve Division**, the following items are permitted:
- 8.3.1.1 A **bow** of any type provided it subscribes to the accepted principle and meaning of the word Bow as used in Target Archery, e.g., an instrument consisting of a handle (grip), riser (*no shoot-through type*) and two flexible limbs each ending in a tip with a string nock. The bow is braced for use by a single string attached directly between the two string nocks only, and in operation is held in one hand by its handle (grip) while the fingers of the other hand draw, hold back and release the string. Multi-colored bow risers and trademarks located on the inside of the upper limb are permitted.
- 8.3.1.2 A **bowstring** of any number of strands *that may be of different colors and* of the material chosen for the purpose with a center serving to accommodate the drawing fingers, a nocking point to which may be added serving(s) to fit the arrow nock as necessary, and to locate this point one or two nock locators may be positioned, and at each end of the bowstring a loop to be placed in the string nocks of the bow when braced. In addition one attachment is permitted on the string to serve as a lip or nose mark. The serving on the string must not end within the archer's vision at full draw. The bowstring must in no way offer aid in aiming through a peephole, marking, or any other means.
- 8.3.1.3 An **arrowrest**, which can be adjustable, any moveable Pressure Button, Pressure Point or Arrowplate may all be used on the bow provided they are not electric or electronic and do not offer any additional aid in aiming. The pressure point shall be placed no further than 4cm back (inside) from the throat of the handle (pivot point) of the bow.
- 8.3.1.4 A **draw check device**, audible and/or visual, other than electric or electronic, may be used.

# BOOK 3

## FITA CONSTITUTION AND RULES

---

8.3.1.5 A **bowsight** for aiming is permitted, but at no time may more than one such device be used.

A bowsight attached to the bow for the purpose of aiming which may allow for windage adjustment as well as elevation setting is subject to the following provisions:

- It shall not incorporate a prism or lens or any other magnifying device, leveling or electric or electronic devices nor shall it provide for more than one sighting point. *The sight point may be a fiber optic sight pin.*
- A bow sight extension is permitted.
- A plate or tape with distance marking may be mounted on the bow as a guide for marking, but must not in any way offer any additional aid.

8.3.1.6 **Stabilizers** and **torque flight compensators** on the bow are permitted provided they do not:

- Serve as a string guide;
- Touch anything but the bow;
- Represent any obstacle to other competitors as far as place on the shooting line is concerned.

8.3.1.7 **Arrows** of any type may be used provided they subscribe to the accepted principle and meaning of the word Arrow as used in Target Archery, and that such arrows do not cause undue damage to target faces or buttresses. The maximum diameter of arrows shall not exceed 11mm (*9.3mm from April 1, 2001*). An arrow consists of a shaft with head (point), nock, fletching and, if desired, cresting. The arrows of each competitor shall be marked on the shaft with the competitor's name or initials, and all arrows used at any one target (i.e., numbered target) shall carry the same pattern and color(s) of fletching, nocks and cresting, if any.

8.3.1.8 **Finger protection** in the form of finger stalls or tips, gloves, or shooting tab or tape (plaster) to draw, hold back and release the string is permitted, provided they do not incorporate any device to hold, draw and release the string. A separator between the fingers to prevent pinching the arrow may be used. On the bow hand an ordinary glove, mitten or similar item may be worn but shall not be attached to the grip. An anchor plate or similar device attached to the finger protection (tab) for the purpose of anchoring is permitted.

8.3.1.9 **Field glasses**, telescopes and other visual aids may be used for spotting arrows provided they do not represent any obstacle to other competitors as far as place on the shooting line is concerned. Prescription spectacles, shooting spectacles and sunglasses may be used. None must be fitted with micro hole lenses, or similar devices, nor marked in any way which can assist in aiming. The glass of the non-sighting eye may be fully covered or taped, or an eye patch may be used.

8.3.1.10 **Accessories** are permitted such as bracers, dress shield, bow sling, belt or ground quiver, tassel, foot markers, *limb savers*, a *tripod for a scopes (may be left on the shooting line providing it does not create an obstacle for any other competitor)*.

- 8.3.2 For the **Compound Division**, the following equipment is described. All types of additional devices, unless they are electric or electronic, are permitted:
- 8.3.2.1 A **Compound Bow**, *may be of a shoot-through type*, where the draw is mechanically varied by a system of pulleys and/or cams. The peak draw weight must not exceed 60 lbs. The bow is braced for use by bowstring(s) attached directly between the two string nocks of the bow limbs, or attached to the bow cables, as may be applicable to the particular design. Cable guards are permitted.
- 8.3.2.2 A **bowstring** of any number of strands *that may be of different colors and* of the material chosen for the purpose, with a center serving to accommodate the drawing fingers or release aid. Nocking points may be fitted to which may be added serving(s) to fit the arrow nock as necessary. To locate these points one or two nock locators may be fitted. In addition attachments are permitted on the string to serve as a lip or nose mark, a peep-hole, a peep-hole 'hold-in-line' device, loop bowstring, etc.
- 8.3.2.3 An **arrowrest**, which can be adjustable, any moveable pressure button, pressure point or arrow plate, may all be used on the bow provided that they are not electric or electronic. The pressure point shall be placed no further than 6cm back (inside) from the throat of the handle (pivot point of the bow).
- 8.3.2.4 **Draw check indicators**, audible and/or visual, other than electric or electronic, may be used.
- 8.3.2.5 A **bow sight** attached to the bow, which may allow for windage adjustment as well as elevation setting which may also incorporate a leveling device, and/or magnifying lenses and/or prisms. A bowsight extension is permitted. Electric or electronic devices are not permitted. *The sight point may be a fiber optic sight pin.*
- 8.3.2.6 **Stabilizers** and **torque flight compensators**, provided that they do not:
- Serve as a string guide;
  - Touch anything but the bow;
  - Represent any obstacle to other archers as far as place on the shooting line is concerned.
- 8.3.2.7 **Arrows** of any type may be used provided they subscribe to the accepted principle and meaning of the word Arrow as used in Target Archery, and that such arrows do not cause undue damage to target faces or buttresses. The maximum diameter of arrows shall not exceed 11mm (*9.3mm from April 1, 2001*). An arrow consists of a shaft with head (point), nock, fletching and, if desired, cresting. The arrows of each competitor shall be marked on the shaft with the competitor's name or initials, and all arrows used at any one target (i.e., numbered target) shall carry the same pattern and color(s) of fletching, nocks and cresting, if any.
- 8.3.2.8 **Finger protection** in the form of finger stalls or tips, gloves, shooting tab or tape (plaster) to draw, hold back and release the string. A separator between the fingers to prevent pinching the arrow may be used. An anchor plate or similar device attached to the finger protection (tab) for the purpose of anchoring is permitted. A release aid that must not be attached in any way to the bow nor incorporate electric or electronic devices may be used. On the bow hand an ordinary glove, mitten or similar item may be worn but shall not be attached to the grip.

## BOOK 3

### FITA CONSTITUTION AND RULES

---

- 8.3.2.9 **Field glasses**, telescopes and other visual aids may be used provided they do not represent any obstacle to other competitors as far as place on the shooting line is concerned. . Prescription spectacles, shooting spectacles and sunglasses may be used. None must be fitted with micro-hole lenses, or similar devices nor marked in any way which can assist in aiming. The glass of the non-sighting eye may be fully covered or taped, or an eye patch may be used.
- 8.3.2.10 **Accessories** are permitted such as bracers, dress shield, bow sling, belt or ground quiver, tassel, foot markers, *limb savers*, *a tripod for a scope (may be left on the shooting line providing it does not create an obstacle for any other competitor)*.
- 8.3.3 For competitors of all divisions the following equipment is not permitted:**
- 8.3.3.1 Any electronic communication device or headsets in front of the waiting line.

## 8.4 SHOOTING

- 8.4.1 Each competitor shall shoot his arrows in **ends** of three arrows each.
- 8.4.2 The maximum **time** permitted for a competitor to shoot an end of three arrows shall be two minutes.
- 8.4.2.1 Competitors may not raise their **bow arm** to start until the signal is given starting the time limit;
- 8.4.2.2 An **arrow shot before or after the allotted time** or out of sequence will be considered as being part of that end and will cause the competitor to lose the highest scoring arrow of that end, which will be scored as a miss. An arrow shot before or after the allotted time or out of sequence that can be clearly identified by the Judge(s) (assigned to spot the arrows) will cause the archer to lose the value of that arrow. *An arrow **shot after the DOS** has officially closed the **practice session** on the competition field, after the pulling of the practice arrows, or during the breaks between distances or rounds will be considered as part of the next scoring end and will cause the competitor to lose the highest scoring arrow of that end. (See also Article 8.6.6)*
- 8.4.2.3 In the event of an **equipment failure** the archer shall raise the red flag on the shooting line. Extra time (*up to 15 minutes*) may be given to make the necessary repairs or changes to the damaged equipment. The archer shall make up the appropriate number of arrows at the earliest opportunity under the supervision of a Judge. *At no time shall any equipment failure delay the tournament by more than 15 minutes*
- 8.4.2.4 In the Elimination and Finals Round of the Indoor Match Round, **no extra time** shall be allowed for equipment failure, but the competitor with equipment failure may leave the shooting line to repair or replace the same and return to shoot any remaining arrow(s) if the Time Limit permits. In the Team event other member(s) of the Team may shoot in the meantime.
- 8.4.2.5 Individual Archers or Teams with **byes or forfeited matches** will not be allowed to take part in the competition during their bye or forfeit. They may practice on the

- practice field or on a special practice area on the unused portion of the competition field. (See 3.19.4).
- 8.4.2.6 In the Indoor Match Round Team event, if any of the three competitors of a team shoots an **arrow before or after** the relevant signals, to start or finish the time period, that arrow will count as part of that end and will cause the Team to lose the highest scoring arrow of that end which will be scored as a miss. An arrow shot before or after the allotted time or out of sequence that can be clearly identified by the Judge(s) (assigned to spot the arrows) will cause the archer to lose the value of that arrow. (See also Article 8.6.6)
- 8.4.3 Excepting for persons who are disabled, competitors shall shoot from a standing **position** and without support, with one foot on each side of the shooting line or with both feet on the shooting line.
- 8.4.4 **Under no circumstances may an arrow be reshot.**  
An arrow may be considered to have not been shot if:
- 8.4.4.1 *If an arrow drops or is mis-shot and any part of the shaft lies within the 3-meter zone indicated by the 3-meter line, provided the arrow has not rebounded;*
- 8.4.4.2 The target face or buttress falls over (in spite of having been fixed to the satisfaction of the Judges). The Judges will take whatever measure they deem necessary and compensate adequate time for shooting the relevant number of arrows. If the buttress only slides down it will be left to the Judges to decide what action to take, if any.
- 8.4.5 *While a competitor is on the shooting line he may receive **non-electronic coaching information** from the team management, provided that this does not disturb the other competitors.*
- 8.4.5.1 In the Indoor Match Round Team event the three competitors in the Team and the coach may assist each other verbally whether they are on the shooting line or not. During the shooting the coach may only coach from the coach's box.
- 8.4.6 Shooting shall be in one direction only, and in the order set out in Article 4.4.2.
- 8.4.7 All practice arrows shall be shot under the control of the Director of Shooting and shall not be scored (see Article 3.19 Practice).
- 8.4.8 For the **Elimination Round** the procedure will be as follows:
- 8.4.8.1 1/16th Elimination. First the women shoot their 18 arrow matches on sixteen target buttresses, then the men shoot their arrows on the same buttresses. Four buttresses are then removed from each end of the target line, leaving eight buttresses in the middle of the field.
- 8.4.8.2 1/8th Elimination. First the women shoot on the eight target buttresses, then the men shoot on the same buttresses. The two central buttresses are then removed to each end of the target line, creating a division between two (2) sets of four (4) buttresses.  
If necessary the women and men may shoot at the same time; then the number of buttresses must be doubled. At the end of each phase there shall be an interval of convenient length of time.
- 8.4.9 For the **Finals Round** the procedure will be as follows:

# BOOK 3

## FITA CONSTITUTION AND RULES

---

- 8.4.9.1 Quarter Finals: the remaining eight women and eight men occupy the respective targets left and right of the division lane, and shoot their 12 arrow matches at the same time. Then the outer four (4) buttresses are removed.
- 8.4.9.2 Semi Finals: the remaining four women and four men occupy the targets left and right of the division lane, and shoot their 12 arrows at the same time.
- 8.4.9.3 Finals for third and fourth place (as described above).
- 8.4.9.4 Gold Medal match: first the two women shoot their final phase of 12 arrows; then the men shoot their final phase of 12 arrows.
- At the end of each phase there shall be an interval of a convenient length of time.
- 8.4.10 In Team competitions each competitor will shoot on his own triple face, one arrow at each center.

### 8.5 ORDER OF SHOOTING AND TIMING CONTROL

- 8.5.1 When **four competitors** are shooting **in pairs** and two (2) competitors are shooting simultaneously, they will shoot one at a time on each target face in **rotation** as follows:
- AB - CD
  - CD - AB
  - AB - CD, etc.
- 8.5.2 Competitor A will shoot at the left face and competitor B at the right face. Competitor C will shoot at the left face and competitor D at the right face.
- 8.5.3 When the **40cm faces and the 40cm triple** faces are placed in two heights, competitor A will shoot at the top left face and competitor B at the top right face. Competitor C will shoot at the bottom left face and competitor D at the bottom right face.
- 8.5.4 When two **40cm vertical triple faces** are used by two competitors competitor A will shoot at the left column, competitor B will shoot at the right column. When four 40cm vertical faces are used competitor A will shoot at the first column, competitor B at the third column, competitor C will shoot at the second column, competitor D at the fourth column.
- 8.5.5 In the Indoor Match **Team** event each competitor will shoot at his own triple face.
- 8.5.6 When triple faces are used, each competitor will shoot his arrows in any order, one at each of the three scoring areas per face.
- 8.5.7 At **FITA Indoor World Championships**:
- 8.5.7.1 In the **Qualification Round** with 4 competitors per target (buttress) 2 competitors will shoot simultaneously on the same target (buttress) each on their own set of vertical triple faces. They will shoot ends of three arrows.
- 8.5.7.2 In the **Indoor Match Round Individual** event:
- In the **Elimination Rounds** there will be two competitors per target (buttress), they will shoot at the same time each on their own set of vertical triple faces.

- In the **Finals Rounds** there will be one competitor per target (buttruss), they will alternate shooting each on their own set of vertical triple faces.
- *In the Elimination and Finals Rounds the left/right position of the competitor is determined by the match-play chart. During the first pairing the competitor on the top line of each pair (of the chart) will shoot on the left hand side of that match. The actual target assignment for the match is the choice of the organizer.*
- In the case of match play alternating shooting the winner of a coin toss will decide the order of shooting of the first end. Thereafter the order of shooting shall alternate. The order of shooting will be indicated on the match play indicator.

#### 8.5.7.3 In the Indoor **Match Round Team** event:

- Both teams will start each end of their match with their three archers behind the 1-meter-line. Only when the DOS starts the match and the time clock, the first archer may cross the 1-meter-line.
- *In the Elimination and Finals Rounds the left/right position of the teams is determined by the match-play chart. During the first pairing the team on the top line of each pair will shoot on the left hand side of that match. The actual target assignment for the match is the choice of the organizer*
- Each competitor will shoot on his own vertical triple face, one arrow at each center.
- The three competitors on the team will shoot three arrows in an order of their own choosing.
- One competitor shall occupy the shooting line, while the other two competitors remain behind the one-meter line. No more than one competitor at a time shall be in front of the one-meter line.
- *Wheelchair competitors may stay on the shooting line all the time. They indicate that they have finished shooting by placing their bow on their knees. (see Appendix 8 Book 1: Competitors with Disabilities)*
- Competitors may not remove their arrows from their quivers until they are in their shooting positions.
- *Violations of these rules shall be sanctioned as specified in 8.8 and in the 'Organizers Manual of the Outdoor Target Archery Championships'.*

#### 8.5.8 **Time Limits:**

- 8.5.8.1 Forty seconds shall be the time allowed for a competitor to shoot one arrow, when the competitors alternate shooting in the Indoor Match Round matches, in order to break ties or to shoot make-up arrows;
- 8.5.8.2 One minute shall be allowed for a team to shoot three (3) arrows, one per competitor, in the Indoor Match Team Round for the purpose of breaking ties.
- 8.5.8.3 Two minutes shall be the time allowed for a competitor to shoot an end of three (3) arrows;
- 8.5.8.4 Three minutes shall be the time allowed for an Indoor Match Round Team to shoot nine arrows;

## BOOK 3

### FITA CONSTITUTION AND RULES

---

- 8.5.8.5 Under no circumstances may the time limit be extended.
- 8.5.8.6 A visual warning signal shall be given thirty (30) seconds before the end of the time limit, except in the Finals Round of the Indoor Match Round when the competitors alternate shooting.
- 8.5.9 **Visual signals** are to be placed on both sides of the field and, if necessary, in the clear lane between Women's and Men's targets so that both right and left handed competitors shall be able to observe them. They are to be placed in front of the shooting line on each side of the field and in the clear lane visible to all competitors on the shooting line.
- 8.5.10 When the shooting is controlled by Plates: two plates are essential in the clear lane in order that the same side of the plates (all yellow or black/yellow stripes) is displayed simultaneously to both men and women competitors. The BLACK and YELLOW striped side will be turned towards the competitors as a signal of warning that only thirty (30) seconds are left of the Time Limit. The YELLOW side of the plate will be turned toward the competitors at all other times.
- 8.5.11 When the shooting is controlled by **Lights**:
- RED The Director of Shooting will give two sound signals for the designated competitors (A, B, or AB, CD, as applicable) to occupy the shooting line all together (Except Indoor Match Round Team Event).
- GREEN On the lights changing color 20 seconds later (10 seconds in all match competitions), the Director of Shooting will give one sound signal for shooting to begin.
- YELLOW This light will go on when only thirty (30) seconds are left.
- RED This means the Time Limit (see Article 8.5.4) is up and two sound signals will be given to indicate that shooting is to stop, even if all arrows have not been shot. Any competitor still on the shooting line is to retire behind the waiting line. The designated competitors will move up and occupy the shooting line and wait for the Green light as above for the shooting to begin: the whole procedure will be repeated as above, and so on until all have shot. When the Red light comes on after one end of three, or nine arrows (3x3 arrows in the Team Event) according to the rounds being shot three sound signals will be given for the scoring to begin.
- 8.5.12 Whenever the shooting line is vacated by all competitors having finished the shooting of their arrows before the end of the Time Limit, the appropriate signal for change or scoring shall be given immediately.
- 8.5.13 Twenty (20) seconds will be allowed for the competitors to vacate and the next designated competitors to occupy the shooting line at the beginning of each end and will, as seen under Article 8.5.7 above, be indicated by two sound signals. No competitor will occupy the shooting line except on the appropriate signal given when lights are operated.
- 8.5.14 In the case of multiple match play alternating shooting (Finals Rounds) each match will be timed separately. Both competitors of each match will position themselves on the shooting line. At the end of the 10-second period one sound signal will start

the 40-second shooting period for the first competitor of each match and the judge assigned to each match will start the timing. As soon as the arrow is shot and the score is posted the time limit of 40 seconds for the second competitor to shoot one arrow will be started. The competitors of each match will continue to alternate their shots until each competitor has shot 3 arrows. When the competitors of all matches of that end have finished shooting the signal for scoring will be given immediately.

*If there are not enough countdown clocks to time the matches individually the DOS will control the matches together.*

- 8.5.15 In the case of single match play alternating shooting both competitors will position themselves on the shooting line. At the end of the 10-second period one sound signal will start the 40-second shooting period for the first competitor. As soon as one arrow is shot and the score is posted one sound signal will be given for the second competitor to start his 40-second period to shoot one arrow. The competitors will continue to alternate their shots until each competitor has shot 3 arrows. The foregoing can be arranged for the Gold Medal Match at FITA Championships.
- 8.5.16 If the **shooting is suspended** during an end for any reason, the Time Limit shall be adjusted. Forty (40) seconds per arrow will be given, except in the Indoor Match Round Team event.
- 8.5.17 The **order of shooting** may be **changed** temporarily for the purpose of changing a string or making other essential adjustments to equipment. If however, such attention to equipment should become essential while on the shooting line, the competitor may step back and at the same time call a Judge by using the flag or other device provided for the purpose. The Judges having verified the competitor was justified in leaving the line, will arrange with the Director of Shooting for this competitor to shoot the arrows left of that end before he gives the signal to move forward for scoring, an announcement to this effect being made over the loudspeaker equipment. The above applies except for the Eliminations and Finals Rounds of the Indoor Match Round as specified in 8.4.2.4.

## 8.6 SCORING

- 8.6.1 *There shall be **scorers** in sufficient numbers to ensure that there will be one for each target. These scorers can be competitors when there is more than one competitor per target. One **Scorer** shall be appointed for each target.*
- 8.6.2 **Scoring** shall take place after each end of three arrows.
- 8.6.3 Scorers shall **enter the value** of each arrow in descending order on scorecards as called out by the competitor to whom the arrows belong. Other competitors on that target shall check the value of each arrow called out.
- In the Indoor Match Finals Rounds or if only one competitor is shooting at a target the competitor will get the score witnessed by a Judge.

# BOOK 3

## FITA CONSTITUTION AND RULES

---

- 8.6.4 In the Indoor Match Round Team event scoring will be cumulative for the nine (9) arrows of each team, every competitor can move up to the target, one per team calling the points, witnessed by a Judge.
- 8.6.5 Neither the **arrows** nor the **face** shall be **touched** until all the arrows on that target have been recorded.
- 8.6.6 If **more than three arrows** belonging to the same competitor or nine in the case of a team, should be found in the target or on the floor of the shooting lanes, only the three (nine) lowest in value shall be scored. Should a competitor (or team) be found to repeat this he may be disqualified.
- 8.6.7 When triple faces are used, arrows may be shot in any order, but if more than one arrow is shot into the same scoring area, both (or all) arrows count as part of that end, but only the lowest value arrow will score. *The other arrow, or arrows, in the same spot will score as a miss, or as misses.* Any arrow missing the outermost blue six (6) zone shall *score as a miss*.
- 8.6.8 An arrow shall be scored according to the **position of the shaft** in the target face. Should the shaft of an arrow touch two colors, or touch any dividing lines between two scoring zones, that arrow shall score the higher value of the zones affected.
- 8.6.9 Should a fragment of a target face be missing, including a dividing line or where two colors meet, or if the dividing line is displaced by an arrow, then an imaginary circular line shall be used for judging the value of any arrow that may hit such a part.
- 8.6.10 All **arrow holes** shall be suitably **marked** on each occasion when arrows are scored and drawn from the target.
- 8.6.11 Arrows embedded in the buttress and not showing on the face can only be scored by a Judge.
- 8.6.12 An arrow hitting:
- 8.6.12.1 The target and **rebouncing**, shall score according to its impact on the target provided that all arrow holes have been marked and an unmarked hole or mark can be identified;
- When a **rebound** occurs:
- The competitor concerned will, after shooting his end of three or six arrows, remain on the shooting line with a flag raised above his head as a signal to the Judges;
  - When all competitors on the shooting line for that end have finished shooting their three arrows or the time limit has expired, whichever is appropriate, the Director of Shooting will interrupt the shooting. The competitor with the rebound arrow will advance to the target together with a Judge, who will judge the point of impact, take down the value and mark the hole and later participate in scoring of that end. The rebound arrow is to be left behind the target until that end has been scored. When the field is again clear the Director of Shooting will give the signal for shooting to continue.
- 8.6.12.2 The target and **hanging** from it, shall have the competitor or competitors on that target to stop shooting and signal with a flag. When the shooting of that end has

- been completed by the other competitors on the line, a Judge with the competitor shall note the value of the arrow, remove it, mark the hole and place the arrow behind the target. The remaining arrows shall be shot by the archer(s) on that target before the Director of Shooting orders general shooting to continue. The Judge concerned shall participate in the scoring of that end;
- 8.6.12.3 The target and **passing** completely **through** the buttress, provided all arrow holes have been marked and provided an unmarked hole can be identified, shall score according to the value of the hole in the target face;
- 8.6.12.4 And found on the ground in shooting lane or behind the target, which has been claimed as a bouncer or pass through must in the opinion of the Judge(s) have in fact first hit the target. If more than one unmarked hole is located in the target after a bouncer or pass through has occurred, the value of the lowest scoring hole will be awarded to the competitor;
- 8.6.12.5 Another **arrow in the nock** and remaining embedded therein, shall score according to the value of the arrow struck;
- 8.6.12.6 Another arrow, and then hitting the target face after **deflection**, shall score as it lies in the target face;
- 8.6.12.7 Another arrow, and then **rebouncing**, shall score the value of the struck arrow, provided the damaged arrow can be identified;
- 8.6.12.8 A target face other than a competitor's own target face, *shall be considered as part of that end and shall score as a miss.*
- 8.6.12.9 In the Indoor Match Round arrows rebounding, passing through the buttress or hanging from it shall not stop the competition.
- 8.6.13 The Director of Shooting will ensure that, after scoring, **no arrows are left in the targets** before any signal is given for shooting to continue. If this inadvertently happens, the shooting shall not be interrupted. A competitor may shoot that end with other arrows or make up the arrows lost after shooting over that distance has been completed. In such circumstances, a Judge shall participate in the scoring after that end, making sure that the arrows which have remained in the target are checked back to the competitor's scorecard before any arrows are withdrawn from the target.
- 8.6.14 In the event of a competitor **leaving arrows**, e.g. on the ground in the target area, he may use others provided he informs a Judge before shooting.
- 8.6.15 In Target Archery, competitors may **delegate authority to score** and collect their arrows to their Team Captain or to another competitor on their own target, provided that they themselves do not move up to the target (e.g. competitors with disabilities).
- 8.6.16 **Scorecards** shall be **signed** by the scorer and the competitor, denoting that the competitor agrees with the value of each arrow. If the scorer is participating in the shooting, his scorecard shall be signed by some other competitor on the same target.
- 8.6.17 In the event of a **tie in score**, the ranking of the results shall be determined in the following order:
- 8.6.17.1 For ties occurring in all Rounds, except for those ties as set forth below (8.6.17.2):

## BOOK 3

### FITA CONSTITUTION AND RULES

---

- Individuals and Teams:
    - Greatest number of scoring hits;
    - Greatest number of 10's;
    - Greatest number of 9's;
    - After this competitors still tying shall be declared equal; but for ranking purposes, i.e. position in the match play charts of Elimination Rounds, a disk toss will decide the position of those declared equal.
- 8.6.17.2 For ties concerning the entrance to the Elimination Rounds, the progress from one stage of the competition to the next or for deciding the Medal placements *after match play competition there will be shoot-offs to break the ties (without considering the number of hits, 10's and 9's)*:
- Individuals:
    - A single arrow shoot-off for score (maximum of three shoot-offs);
    - If there is still a tie in the third shoot-off, the arrow closest to the center will resolve the tie;
    - Successive single arrow closest-to-the-center shoot-offs, until the tie is resolved.
  - Teams:
    - An End of three (3) arrows (one by each competitor) shoot-off for score (maximum of three shoot-offs);
    - If the score is still tied in the third shoot-off, the team with the closest-to-the-center arrow will win;
    - If still tied the second (or third) closest-to-the-center arrow will determine the winner;
    - If necessary there will be successive three (3) arrow (one arrow by each competitor) shoot-offs for score if necessary followed by closest-to-the-center evaluation until the tie is resolved;
    - the time limit for a Team shoot-off shall be 1/3 of the applicable time limit.
- 8.6.17.3 *For all shoot-offs the center faces of the vertical triple faces shall be used.*
- 8.6.17.4 *Until official information about shoot-offs is given the competitors will have to remain on the competition field. A Competitor who is not present at an announced shoot-off will be declared the loser of that match.*
- 8.6.18 *The Ranking at World Championships will follow the above procedure*
- 8.6.19 *The Ranking at other tournaments will follow the above procedure, however those competitors eliminated during the Indoor Match Round with scores tying will be ranked equal and be given the same position ties (without considering the number of hits, 10's and 9's).*
- 8.6.20 At the end of the Tournament the Organizing Committee must supply complete result lists to all participants: Competitors, Team Captains, Council Members who are present, Judges and the Director of Shooting.

## 8.7 SHOOTING CONTROL AND SAFETY

- 8.7.1 The FITA Judge Committee shall appoint a Director of Shooting who, whenever possible, shall be a Judge. He shall not participate in the shooting and his duties shall include the control of the following:
- 8.7.1.1 Instituting and enforcing any reasonable safety measures he considers necessary;
  - 8.7.1.2 Controlling the shooting, regulating the timing of ends, and the order in which the competitors will occupy the shooting line;
  - 8.7.1.3 Exercising control over the use of the loudspeaker equipment, the activities of photographers, etc., so that competitors are not disturbed;
  - 8.7.1.4 Ensuring that spectators remain behind the barriers enclosing the shooting range. Assistants may be appointed as necessary at the discretion of the Organizers to assist the Director of Shooting in the execution of his duties;
  - 8.7.1.5 A series of *not less than five* sound signals shall be given for all shooting to cease. If shooting is suspended during an end for any reason, one sound signal will be the signal for shooting to continue;
  - 8.7.1.6 No competitor may **draw his bow**, with or without an arrow, and in the Indoor Match Round Team event, remove his arrow from his quiver except when standing on the shooting line. If an arrow is used, the competitor shall aim toward the targets but only after being satisfied that the range is clear both in front of and behind the targets. If a competitor, while drawing his bow with an arrow before the shooting starts or during breaks between distances, loses an arrow, intentionally or otherwise, such an arrow shall count as part of the next end of scoring arrows to be shot. The scorer shall make a note to this effect on the competitor's scorecard and enter the values of all hits for that end (3 or 9 arrows as the case may be), but the highest scoring arrow will be forfeited. Such action must be initiated by a Judge and the competitor concerned;
  - 8.7.1.7 While shooting is in progress, only those competitors whose turn it is to shoot may be **on the shooting line**. All other competitors, with their equipment, shall remain behind the waiting line. After a competitor has shot his arrows, he shall immediately retire behind the waiting line, *he may leave his spotting scope on the shooting line between ends providing it does not create an obstacle for any other competitor*.
  - 8.7.1.8 In the Indoor Match Round Team event only one competitor at a time may be on the line to shoot, while the other two competitors remain one meter behind waiting for him to retire behind the 1-meter line (see 8.5.7.3 wheelchair competitors);
  - 8.7.1.9 No competitor may **touch the equipment** of another without the latter's consent. Serious cases may lead to sanctions;
  - 8.7.1.10 **No smoking** is allowed in and in front of the competitors' area;
  - 8.7.1.11 A competitor **arriving after shooting has started** shall forfeit the number of arrows already shot, unless the Director of Shooting is satisfied that he was delayed by circumstances beyond his control, in which case he may be allowed to make up the arrows lost after the distance then being shot is completed, but no more than 12

# BOOK 3

## FITA CONSTITUTION AND RULES

---

arrows. There is no concession for a competitor to make up arrows in the Elimination and Finals Rounds;

- 8.7.1.12 When drawing back the string of his bow a competitor shall not use any technique which, in the opinion of the Judges, could allow the arrow, if accidentally released, fly beyond a safety zone or **safety** arrangements (net, wall etc.). If a competitor persists in using such a technique, he will, in the interest of safety, be immediately asked by the Chairman of Judges and/or the Director of Shooting to stop shooting and leave the field.

### 8.8 PENALTIES

#### 8.8.1 *Eligibility, disqualification,*

8.8.1.1 *Competitors are not eligible to compete in FITA events if they do not meet the requirements as laid down in Chapter 2 of the FITA Constitution and Rules.*

8.8.1.2 *A competitor found guilty of breaking any of the above rules may be eliminated from the competition and will lose any position he may have gained.*

8.8.1.3 *A competitor is not eligible to compete in FITA Championships if his Member Association does not meet the requirements as laid down in Article 3.7.4.*

8.8.1.4 *A competitor found competing in a class as laid down in Chapter 4.2 the requirements of which he does not fulfil will be eliminated from the competition and lose any position he may have gained.*

8.8.1.5 *A competitor found guilty of Doping according to the rules laid down in Appendix 4 of Book 1 of the FITA Constitution and Rules will be subject to the following sanctions (11.10; 11.11):*

- *Regardless of a sanction being imposed by the Member Association concerned, FITA will annul the results achieved in the competition and any prizes or medals awarded should be returned to the FITA office due to the unfair advantage gained over the other competitors.*
- *If the competitor has shot in a team event the result of the team will be annulled.*
- *In addition to this the sanctions of Article 11 and 12 of Appendix 4 apply.*
- *A competitor suspended for a doping offense may not participate in any FITA event organized by FITA or a member of FITA up to the end of his suspension.*

8.8.1.6 *Any competitor found to be using equipment contravening FITA Rules may have his scores disqualified (8.3).*

8.8.1.7 *A competitor or a team repeatedly found shooting more arrows per end than allowed may have their scores disqualified (8.6.6).*

8.8.1.8 *A competitor proved to have transgressed any rules and regulations knowingly may be ruled not to be eligible to participate and be eliminated from the competition and will lose any position he may have gained (8.9.2.12).*

- 8.8.1.9 *When drawing back the string of his bow a competitor shall not use any technique which, in the opinion of the Judges, could allow the arrow, if accidentally released, fly beyond a safety zone or **safety** arrangements (overshoot area, net, wall etc.). If a competitor persists in using such a technique, he will, in the interest of safety, be immediately asked by the Chairman of Judges and/or the Director of Shooting to stop shooting and leave the field. (8.7.1.12)*
- 8.8.2 Losing the score of arrows**
- 8.8.2.1 *A competitor arriving after shooting has started shall forfeit the number of arrows already shot, unless the Director of Shooting is satisfied that he was delayed by circumstances beyond his control. (8.7.1.11)*
- 8.8.2.2 *A competitor who is unable to repair his equipment in case of an equipment failure within 15 minutes will only be allowed to shoot (make up) the number of arrows that can be shot within 15 minutes following the standard order of shooting for make-up arrows, he will lose the number of any other arrows he has not been able to shoot. (8.4.2.3)*
- 8.8.2.3 *An **arrow shot** before or after the allotted time or out of sequence will be considered as being part of that end and will cause the competitor to lose the highest scoring arrow of that end which will be scored as a miss. An arrow shot before or after the allotted time or out of sequence that can be clearly identified by the Judge(s) (assigned to spot the arrows) will cause the archer to lose the value of that arrow. (8.4.2.2, see also 8.6.6)*
- 8.8.2.4 *An arrow shot on the competition field after the DOS has officially closed the practice session on the competition field, after the pulling of the practice arrows, or during the breaks between distances or rounds will be considered as part of the next scoring end and will cause the competitor to lose the highest scoring arrow of that end. (8.4.2.2, see also 8.6.6)*
- 8.8.2.5 *In the Indoor Match Round Team event, if any of the three competitors of a team shoots an arrow before or after the relevant signals, to start or finish the time period, that arrow will count as part of that end and will cause the Team to lose the highest scoring arrow of that end which will be scored as a miss. An arrow shot before or after the allotted time or out of sequence that can be clearly identified by the Judge(s) (assigned to spot the arrows) will cause the archer to lose the value of that arrow. (8.4.2.6, see also 8.6.6)*
- 8.8.2.6 *If more than three arrows, belonging to the same competitor or nine in the case of a team event, should be found in the target or on the ground in the shooting lanes, only the three lowest (or nine lowest, as the case may be) in value shall be scored. (8.6.6)*
- 8.8.2.7 *When triple faces are used and more than one arrow is shot into the same scoring area both (or all) arrows count as part of that end but only the lowest value arrow will score. (8.6.7)*
- 8.8.2.8 *An arrow not hitting a scoring zone, or hitting a target face other than the competitor's own target face shall be considered as part of that end and shall score as a miss (8.6.12.8).*

## BOOK 3

### FITA CONSTITUTION AND RULES

---

- 8.8.3** *Team Round Time penalties* (for details of procedure see the FITA Organizers Manual of the Target Archery Championships):
- 8.8.3.1 *If a member of a team crosses the 1 meter line too soon the judge will raise the yellow card or will switch on a yellow light in front of the shooting line to indicate that the competitor will have to return behind the 1 meter line to start over again or be replaced by another competitor with arrows to shoot.*
- 8.8.3.2 *If the team does not respect the yellow card (or light) and the competitor shoots his arrow, the team will lose the highest scoring arrow for that end or lose the value of that arrow if it can be clearly identified by the Judge(s) (assigned to spot the arrows).*
- 8.8.3.3 *The same procedure applies if a team member removes an arrow from the quiver before standing on the shooting line.*
- 8.8.4** **Warnings**
- Competitors who have been warned repeatedly and who continue breaking the following FITA rules or who do not follow decisions and directives (which can be appealed) of the assigned judges will be treated according to 8.8.1.8 (8.9.2.12).*
- 8.8.4.1 *No smoking is allowed in and in front of the competitors' area. (8.7.1.10)*
- 8.8.4.2 *No competitor may touch the equipment of another without the latter's consent. (8.7.1.9)*
- 8.8.4.3 *No competitor may draw his bow, with or without an arrow, except when standing on the shooting line. (8.7.1.6)*
- 8.8.4.4 *While shooting is in progress, only those competitors whose turn it is to shoot may be on the shooting line. (8.7.1.7)*
- 8.8.4.5 *A competitor may not raise his bow arm until the signal starting the time limit is given (8.4.2.1).*
- 8.8.4.6 *Neither the arrows nor the target face shall be touched until all the arrows on that target have been recorded. (8.6.5)*
- 8.8.4.7 *When drawing back the string of his bow a competitor shall not use any technique which, in the opinion of the Judges, could allow the arrow, if accidentally released, fly beyond a safety zone or **safety** arrangements (overshoot area, net, wall etc.). (8.7.1.12)*

## 8.9 JUDGING

- 8.9.1 At least one Judge for every ten targets in Target Archery shall be appointed except for Tournaments shot according to Article 3.11.1. *However there shall always be a minimum of 3 judges.*
- 8.9.2 The duties of the Judges shall be:
- 8.9.2.1 To check all distances and the correct layout of the range or courses; the dimensions of target faces and buttresses; that the faces are set at the correct height from the ground or floor; that all buttresses are set at a uniform angle.

- 8.9.2.2 To check all the necessary venue equipment;
- 8.9.2.3 To check all competitors' equipment before the Tournament (time to be stated on the tournament program) and at any time thereafter during the Tournament;
- 8.9.2.4 To control the conduct of the shooting;
- 8.9.2.5 To control the conduct of the scoring;
- 8.9.2.6 To verify the scoring in the Elimination and Finals Rounds;
- 8.9.2.7 To consult with the Director of Shooting on questions which arise regarding the shooting;
- 8.9.2.8 To handle any disputes and appeals which may arise;
- 8.9.2.9 In liaison with the Director of Shooting, to interrupt the shooting if necessary, because of power failures, a serious accident, or such occurrences, but to ensure if at all possible, that each day's program is completed on that day;
- 8.9.2.10 To consider relevant complaints or requests from Team Captains and where applicable to take suitable action. Collective decisions shall be made by a simple majority of votes. In case of a tie, the Chairman shall have a tie-breaking vote;
- 8.9.2.11 Questions concerning the conduct of the shooting or the conduct of a competitor shall be lodged with the Judges without any undue delay and in any event must be lodged before the prize giving. The ruling of the Judges or Jury of Appeal, as applicable, shall be final.
- 8.9.2.12 Competitors' and officials are to conform with the FITA Constitution and Rules as well as decisions and directives the Judges may find necessary to make. A competitor proved to have transgressed any rules and regulations knowingly may be ruled not to be eligible to participate and be eliminated and will lose any position he may have gained.

## 8.10 QUESTIONS, APPEALS AND DISPUTES

- 8.10.1 In the disciplines of Indoor Target Archery, any competitor on the target shall refer any questions about the **value of an arrow** in the target to a Judge before any arrows are drawn. Should any competitor on the target be dissatisfied with the Judge's ruling, the **majority decision** of that Judge himself and no more than two *other* available Judges shall be **final**. A mistake on the scorecard discovered before the arrows are drawn may be corrected, but the correction must be witnessed and initialed by one of the Judges before the arrows are drawn. Any other disputes concerning entries on a scorecard shall be referred to a Judge.
- 8.10.2 Should a target face become unreasonably worn or otherwise disfigured or should there be any other complaint about **range equipment**, a competitor or his Team Captain may appeal to the Judges to have the defective item replaced or remedied.
- 8.10.3 Questions concerning the **conduct of the shooting** or the **conduct of a competitor** shall be lodged with the Judges before the next stage of the competition.

## BOOK 3

### FITA CONSTITUTION AND RULES

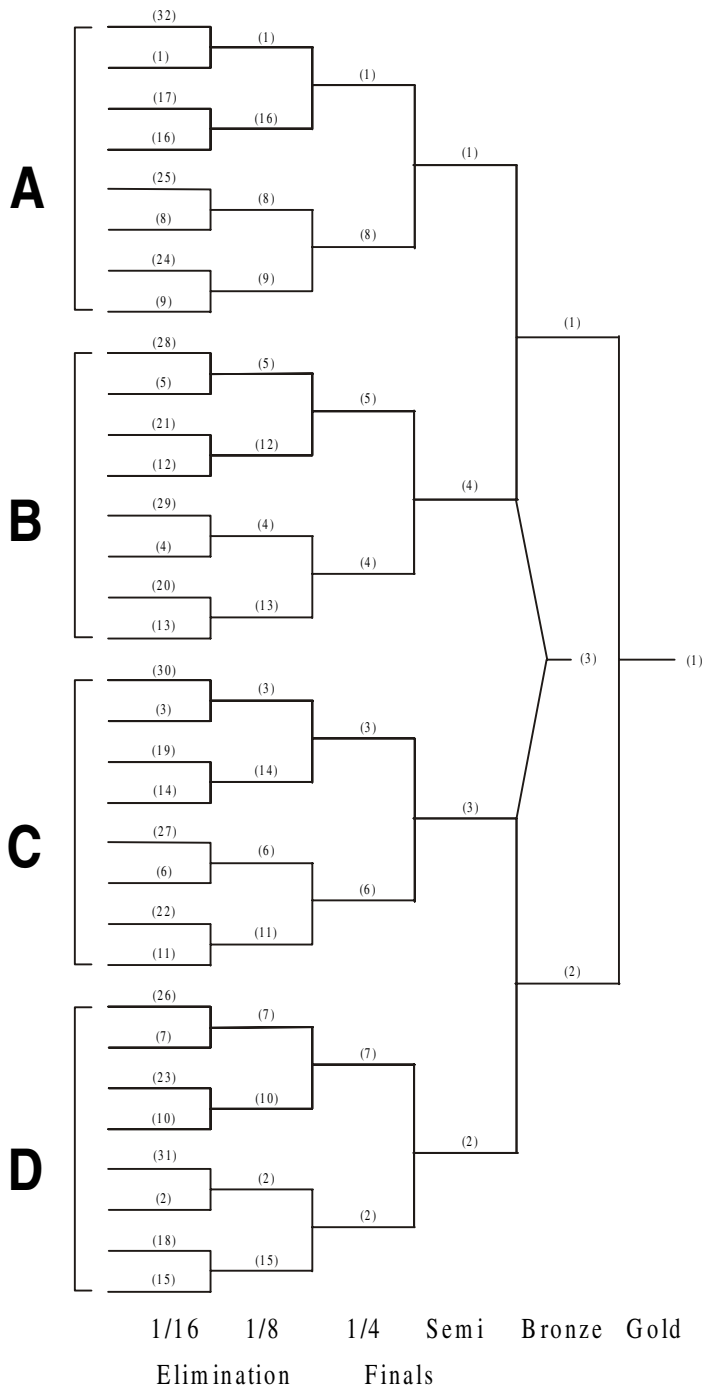
---

- 8.10.4 Questions regarding daily **published results** shall be lodged with the Judges without any undue delay, and in any event must be lodged in time to allow corrections to be made before the prize giving.
- 8.10.5 In the event of a competitor not being satisfied with a ruling given by the Judges, he may, except as provided for in Article 8.10.1 above, appeal to the Jury of Appeal according to Article 3.13. Trophies or prizes which may be affected by a dispute shall not be awarded until the Jury ruling has been given.

**APPENDIX 1 BOOK 3**

**VENUE EQUIPMENT – Seeding Diagrams**

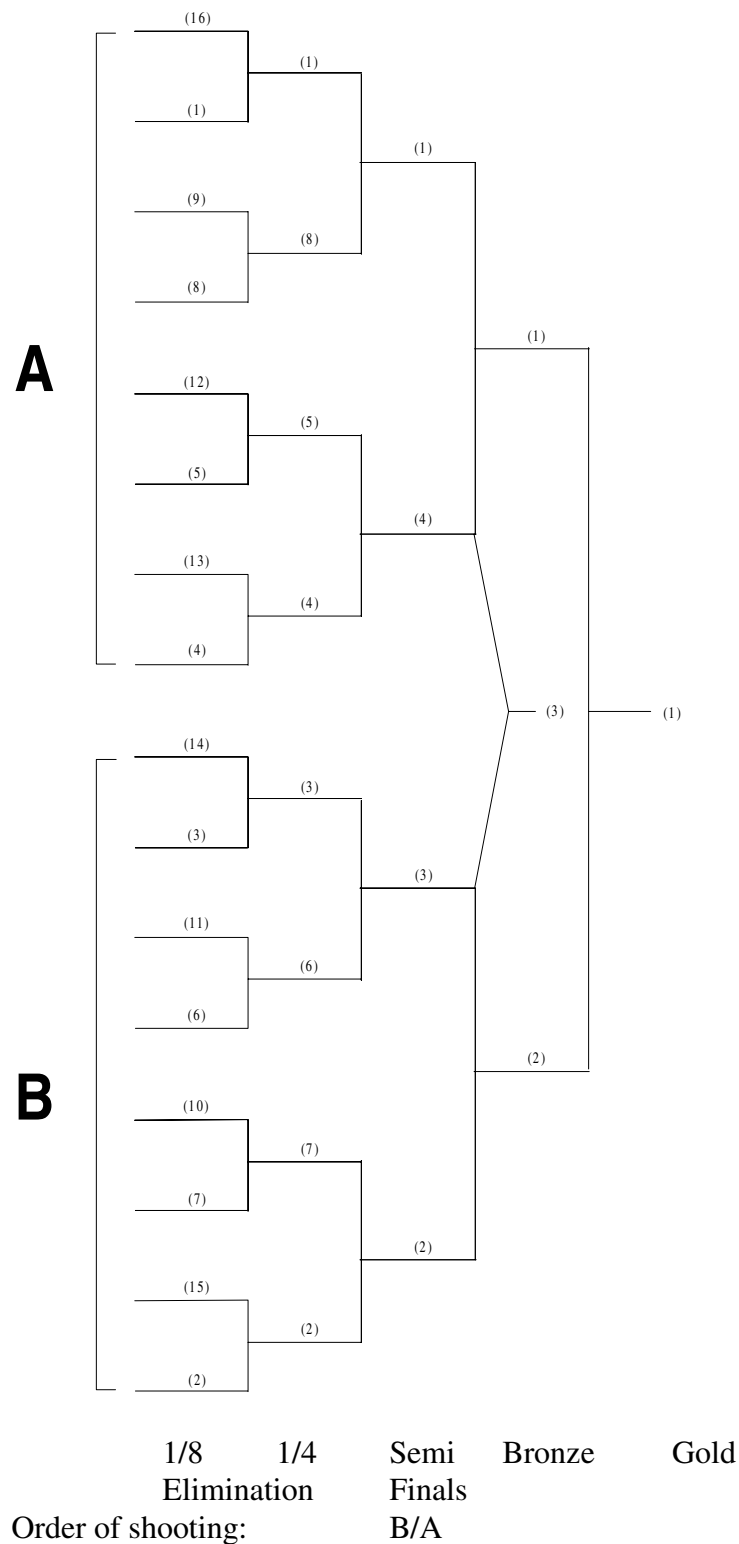
**1. INDOOR MATCH ROUND INDIVIDUAL SEEDING DIAGRAM  
32 competitors (Article 4.4.2.5)**



# BOOK 3

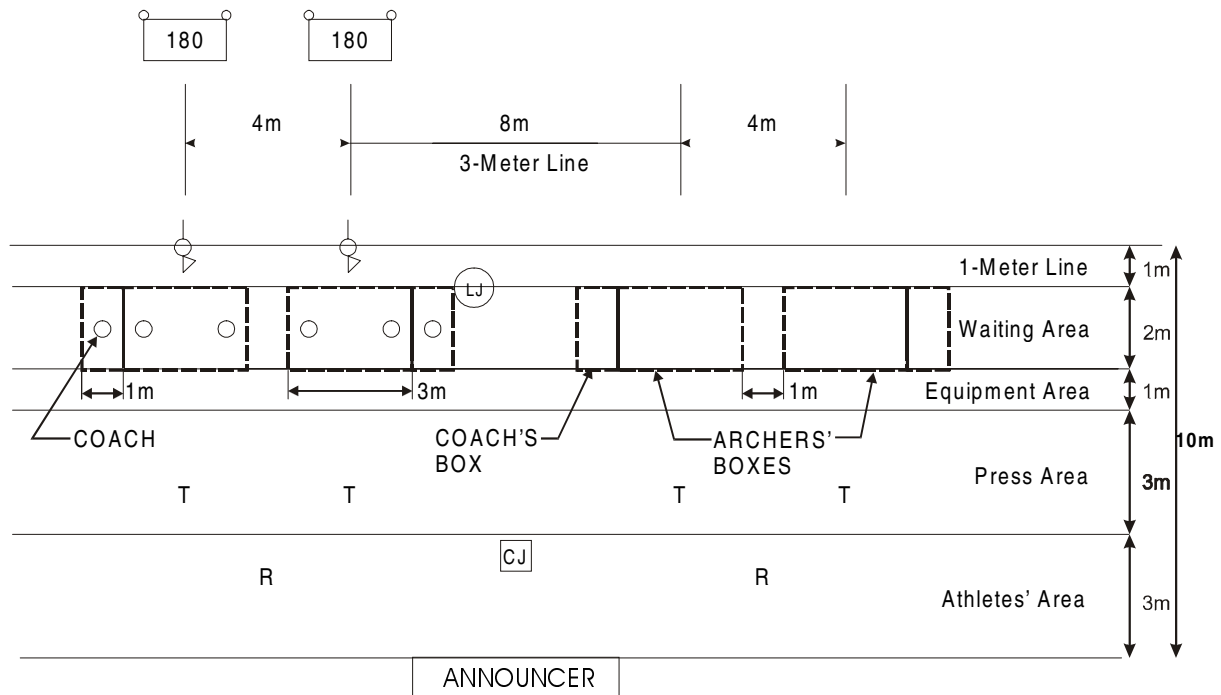
## FITA CONSTITUTION AND RULES

### 2. MATCH ROUND TEAM SEEDING DIAGRAM (Article 4.4.2.5)



## VENUE EQUIPMENT – Range Layout

### 1. SHOOTING LINE LAYOUT - MATCH ROUND TEAMS FINALS (Recommendation)

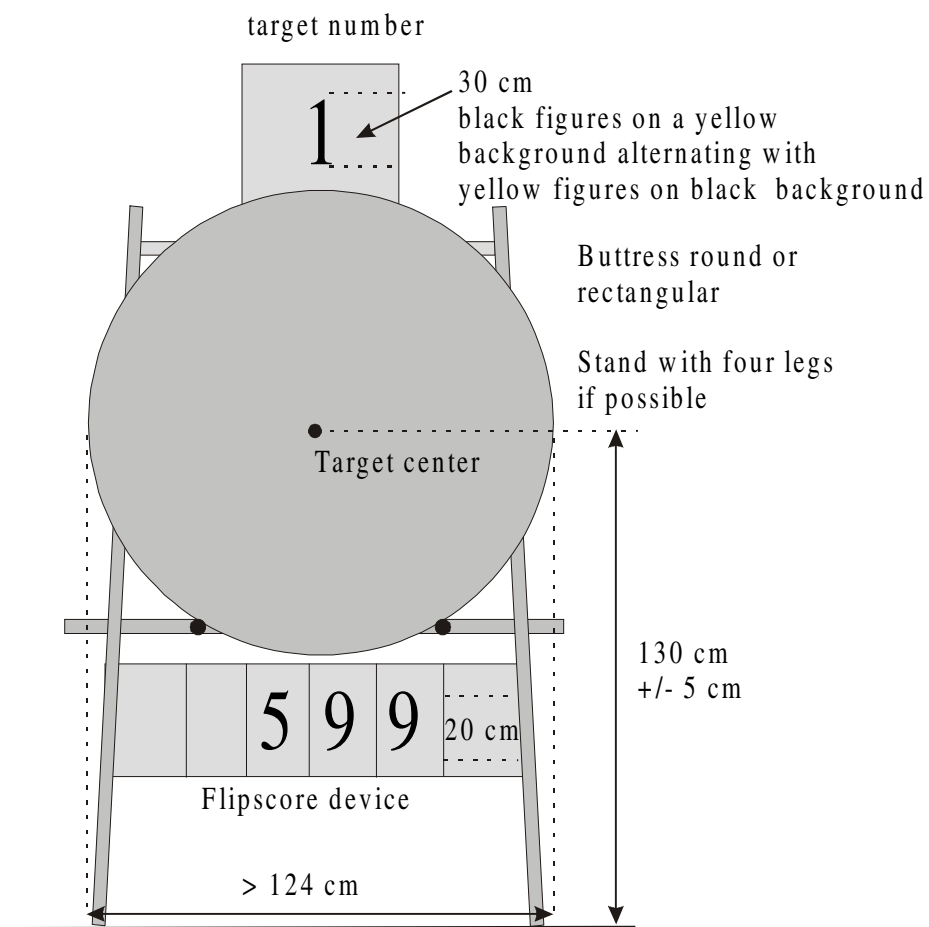


Spaces for the athletes' area and the press area may have to be adjusted to the space available in the hall.

## **VENUE EQUIPMENT – Target - Faces**

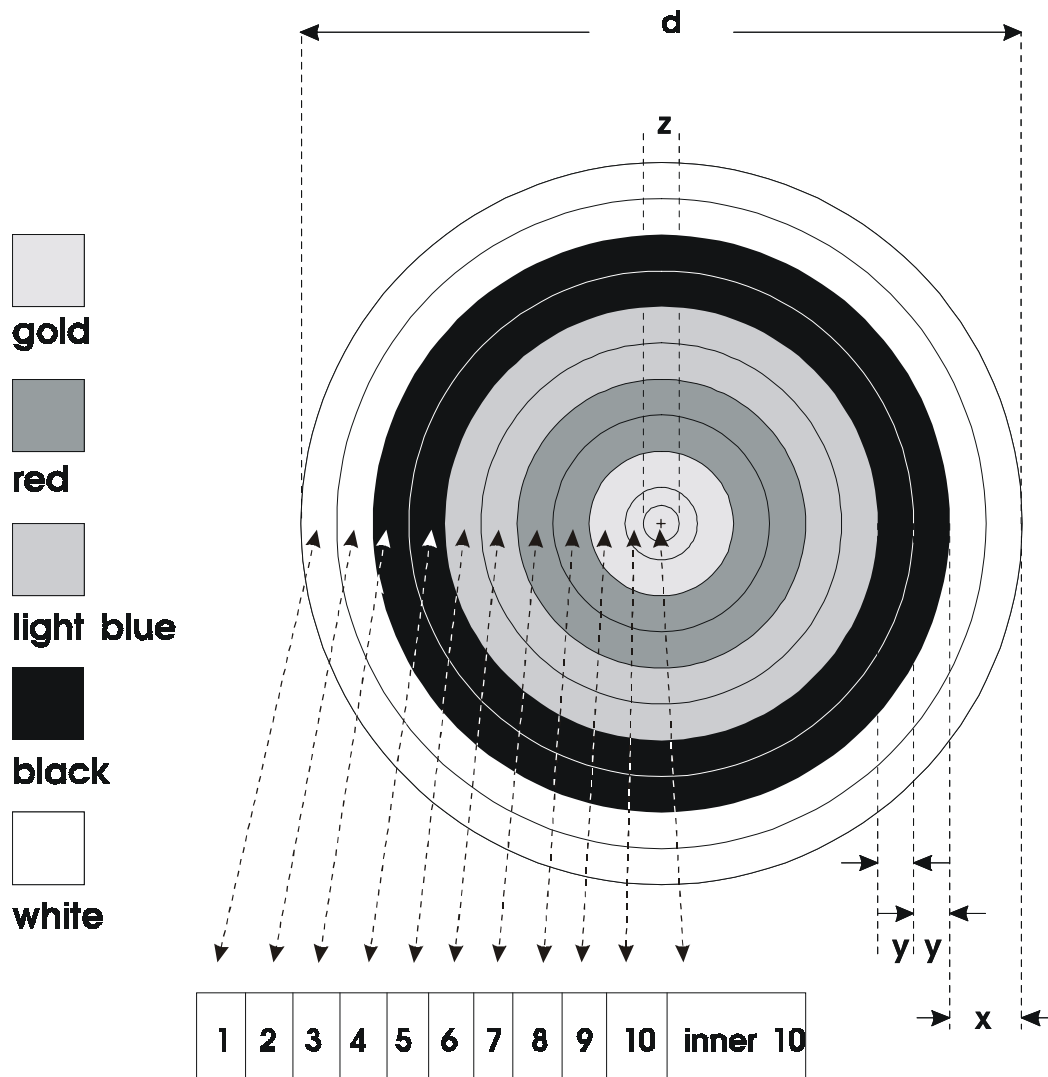
### **1. INDOOR TARGET**

Article 8.2.2



**2. INDOOR TARGET FACE**

Articles 8.2.1.3; 8.2.1.4



d	x	y	z
diameter of face	color zone	scoring zone	diameter of inner 10
122 cm	12.2 cm	6.1 cm	6.1 cm
80 cm	8 cm	4 cm	4 cm
60 cm	6 cm	3 cm	3 cm
40 cm	4 cm	2 cm	2 cm

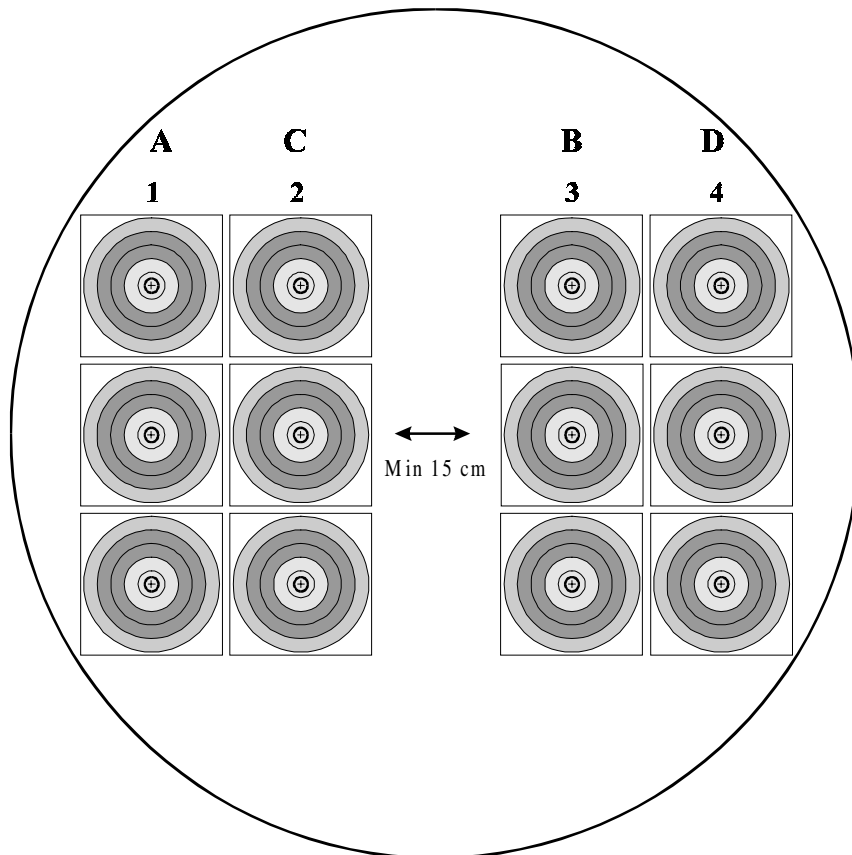
# BOOK 3

## FITA CONSTITUTION AND RULES

---

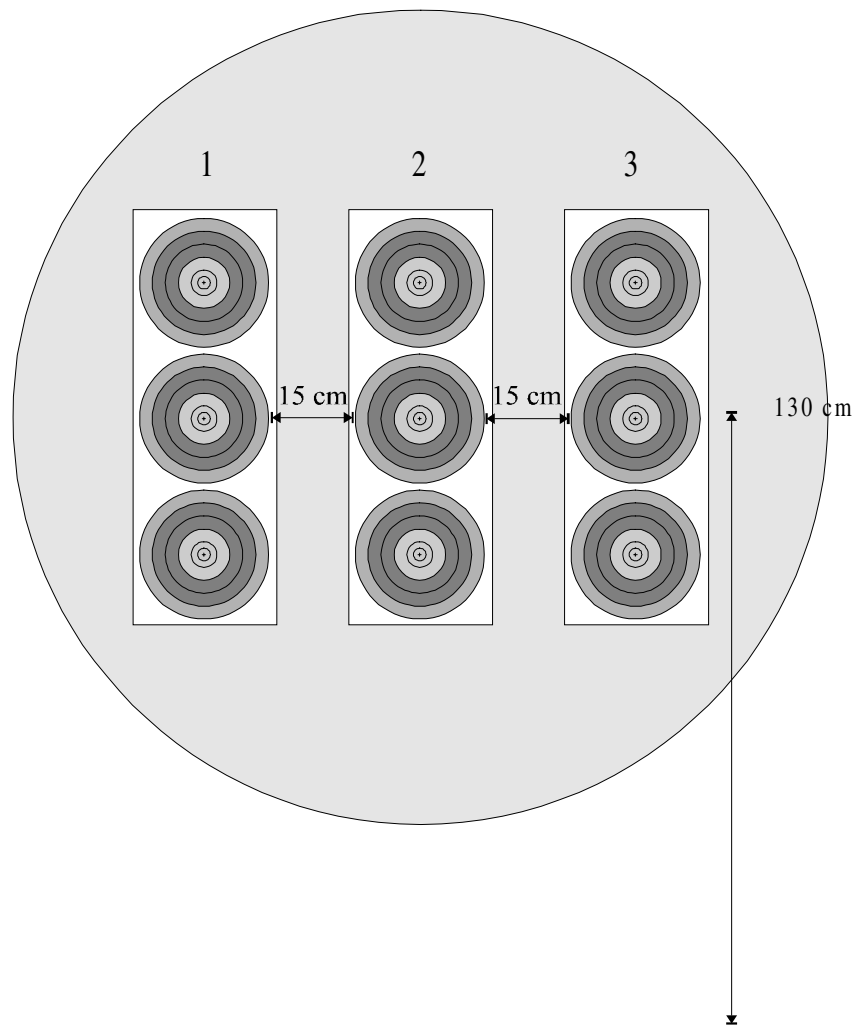
### 1. INDOOR - VERTICAL FACES

Article 8.1.4



**2. INDOOR - VERTICAL FACES - TEAM EVENT**

Article 8.1.4



**BOOK 3**

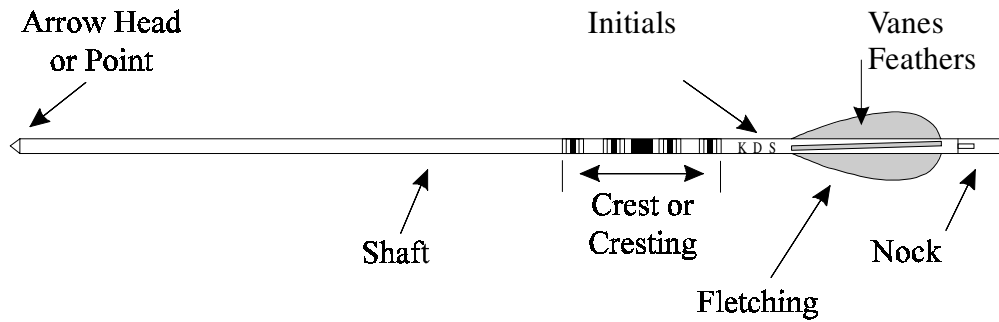
**FITA CONSTITUTION AND RULES**

---

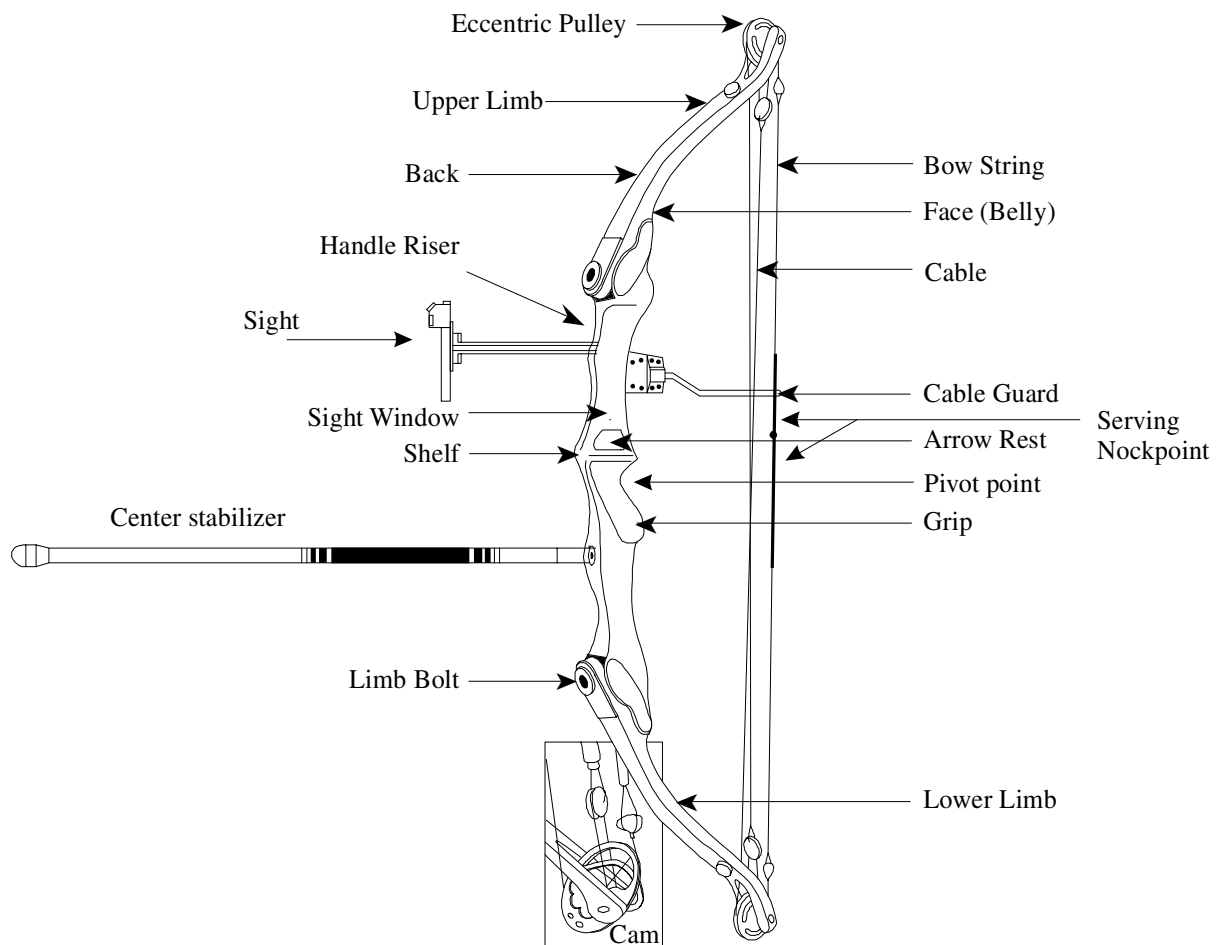
**APPENDIX 2 BOOK 3**

**COMPETITORS' EQUIPMENT**

**1. ARROW**  
Article 7.3.1.7



**2. COMPOUND BOW**  
Article 7.3.3



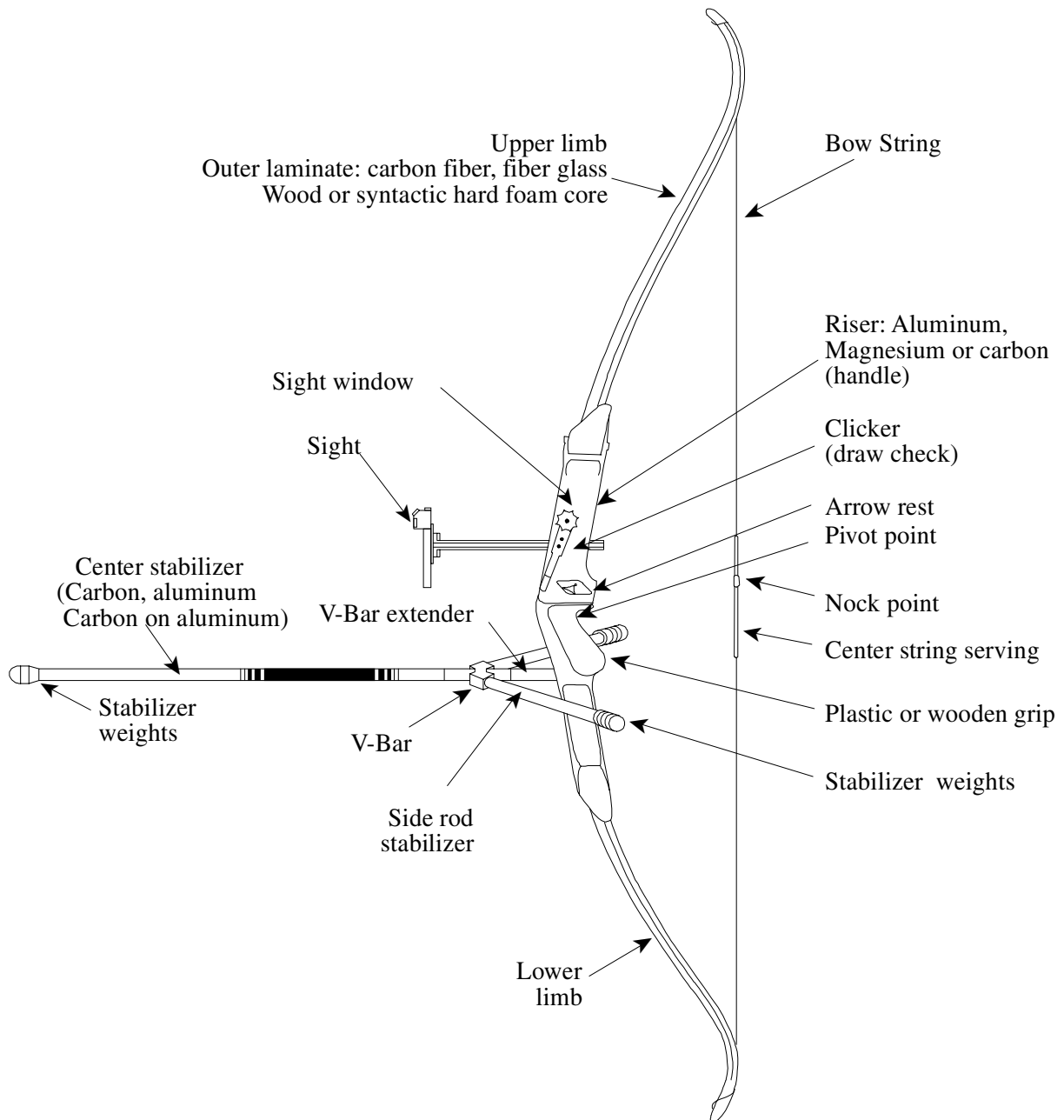
# BOOK 3

## FITA CONSTITUTION AND RULES

---

### 3. RECURVE BOW

Article 7.3.1



**APPENDIX 3 BOOK 3**

**VENUE EQUIPMENT - Scorecards**

**1. MODEL SCORECARDS INDOOR OLYMPIC ROUND Individuals**

<b>1/32 ELIMINATION</b>				
1	2	3	End	Total
<b>Hit</b>	<b>Shoot-off</b>			
<b>10s</b>	<b>9s</b>			

<b>1/16 ELIMINATION</b>				
1	2	3	End	Total
<b>Hit</b>	<b>Shoot-off</b>			
<b>10s</b>	<b>9s</b>			

Archer's Signature: \_\_\_\_\_

Archer's Signature: \_\_\_\_\_

Scorer's Signature: \_\_\_\_\_

Scorer's signature: \_\_\_\_\_

Archer: \_\_\_\_\_

Registration Number: \_\_\_\_\_

<b>¼ FINAL</b>				
1	2	3	End	Total
<b>Hits</b>	<b>10s</b>	<b>9s</b>	<b>Shoot</b>	
			<b>-off</b>	

<b>GOLD /BRONZE</b>				
1	2	3	End	Total
<b>Hits</b>	<b>10s</b>	<b>9s</b>	<b>Shoot</b>	
			<b>-off</b>	

Archer's Signature: \_\_\_\_\_

Archer's Signature: \_\_\_\_\_

Scorer's Signature: \_\_\_\_\_

Scorer's signature: \_\_\_\_\_

# BOOK 3

## FITA CONSTITUTION AND RULES

---

### 2. MODEL SCORECARDS - INDOOR OLYMPIC ROUND - Teams

1/8 ELIMINATION				
1	2	3	End	Total
<b>Hits</b>	<b>10s</b>	<b>9s</b>	<b>Shoot</b>	
			<b>-off</b>	

1/4 FINAL				
1	2	3	End	Total
<b>Hits</b>	<b>10s</b>	<b>9s</b>	<b>Shoot</b>	
			<b>-off</b>	

Archers' Signature: \_\_\_\_\_

Archers' Signature: \_\_\_\_\_

Scorer's Signature: \_\_\_\_\_

Scorer's signature: \_\_\_\_\_

**Team:** \_\_\_\_\_

SEMI-FINAL				
1	2	3	End	Total
<b>Hits</b>	<b>10s</b>	<b>9s</b>	<b>Shoot</b>	
			<b>-off</b>	

GOLD/BRONZE				
1	2	3	End	Total
<b>Hits</b>	<b>10s</b>	<b>9s</b>	<b>Shoot</b>	
			<b>-off</b>	

Archers' Signature: \_\_\_\_\_

Archers' Signature: \_\_\_\_\_

Scorer's Signature: \_\_\_\_\_

Scorer's signature: \_\_\_\_\_